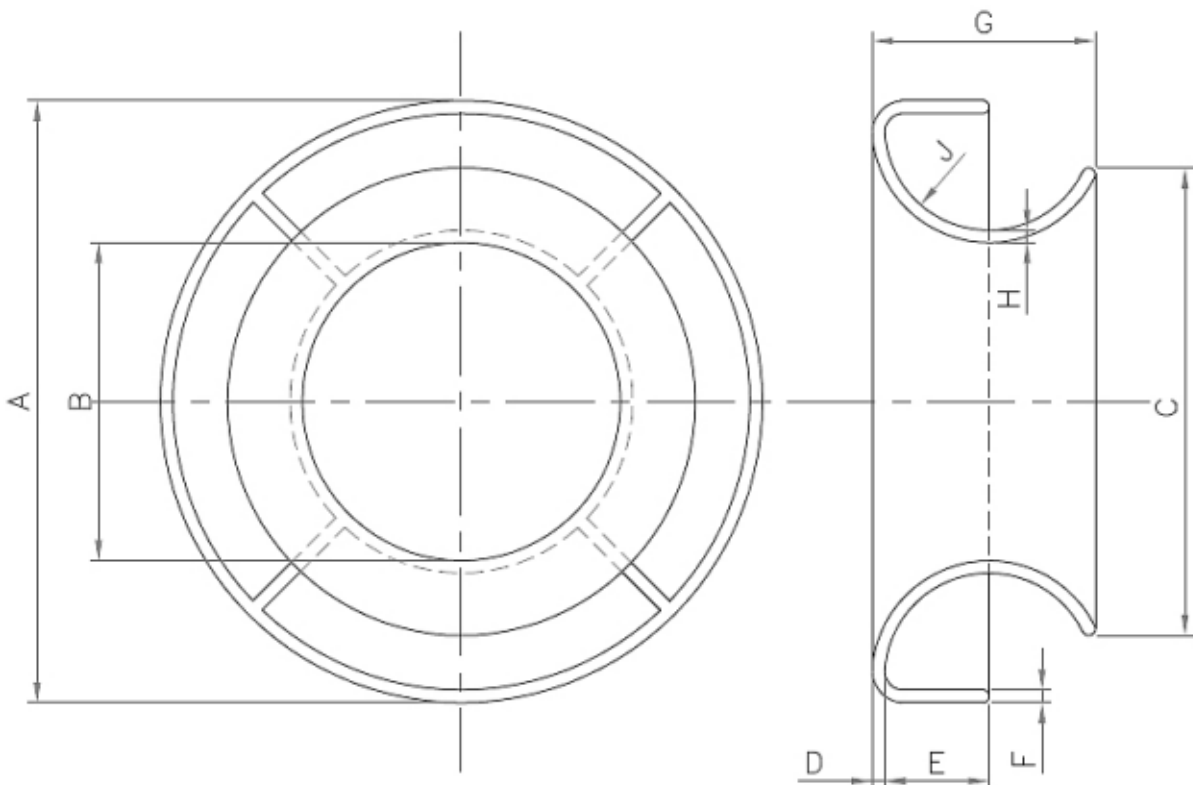




*"...the only port of call you'll ever need..."*

## Bulwark Mounted Circular Bows

Lifting & Marine Services Limited supply chocks which fit directly into the bulwark making it easy to pass mooring lines onto the deck.



### Technical Schematics :

**Note:**

Technical data is for guidance only - for exact specification, please contact our sales team

Code	Size dia.	A	B	C	D	E	F	G	H	J	Wt Kgs
NIGER	483	914	483	711	19	178	19	340	19	178	296
WEAR	457	813	457	730	19	160	19	362	19	181	168

Please e-mail us at [enquiries@liftingandmarine.com](mailto:enquiries@liftingandmarine.com) with your enquiry

[www.liftingandmarine.com](http://www.liftingandmarine.com)