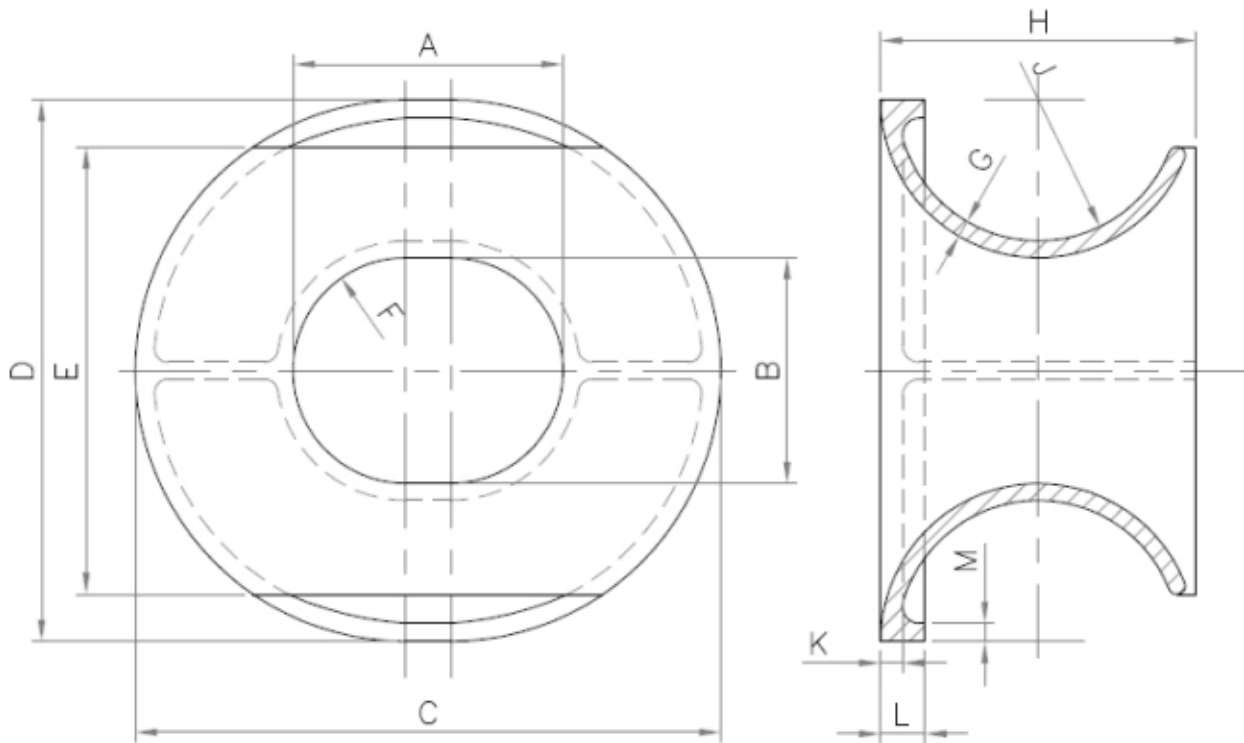




"...the only port of call you'll ever need..."

## Bulwark Mounted in Flat Plate

Lifting & Marine Services Limited supply chocks which fit directly into the bulwark making it easy to pass mooring lines onto the deck.



### Technical Schematics :

**Note:**

Technical data is for guidance only - for exact specification, please contact our sales team

Code	Size dia.	A	B	C	D	E	F	G	H	J	K	L	M	Wt Kgs
TWEED	305 x 254	305	254	660	610	508	127	19	356	178	25	50	19	137
TRENT	610 x 305	610	305	965	660	565	152	19	356	178	25	50	19	230

Please e-mail us at [enquiries@liftingandmarine.com](mailto:enquiries@liftingandmarine.com) with your enquiry

[www.liftingandmarine.com](http://www.liftingandmarine.com)