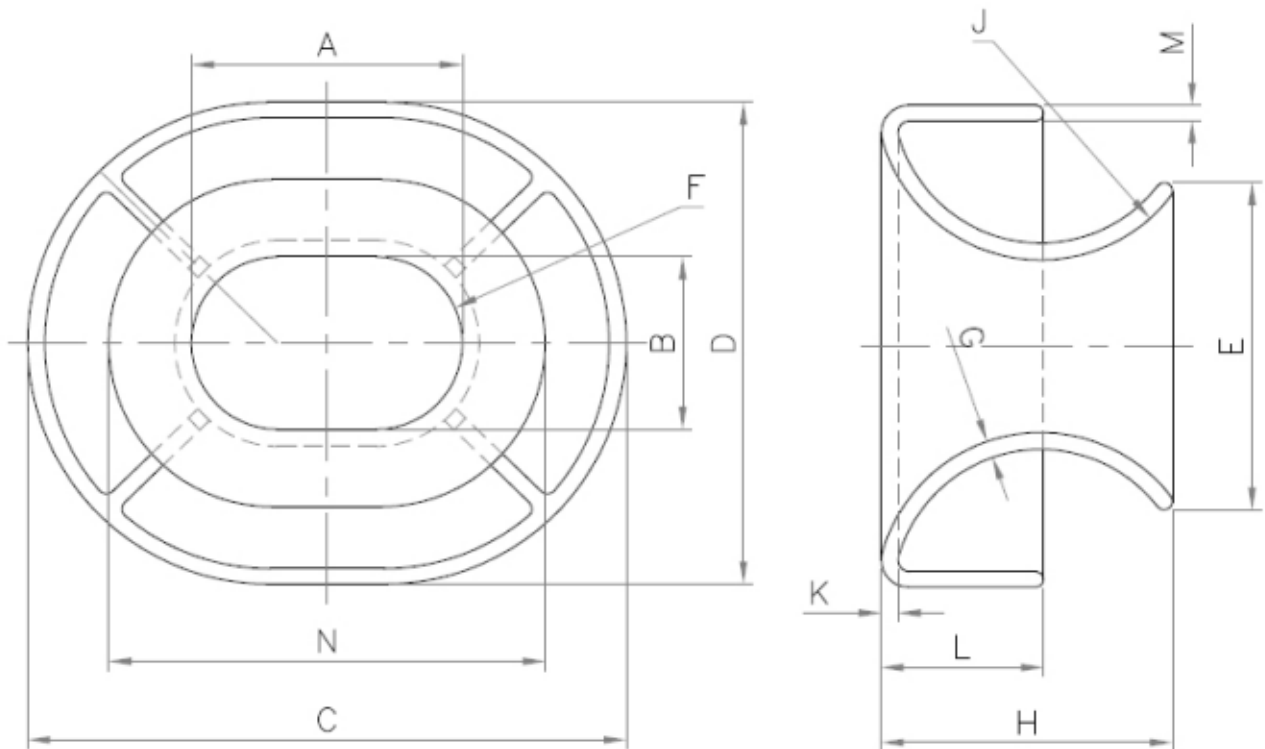




"...the only port of call you'll ever need..."

Bulwark Mounted Panama Bows (Sheet 1)

Lifting & Marine Services Limited supply chocks which fit directly into the bulwark making it easy to pass mooring lines onto the deck.



Technical Schematics :

Note:

Technical data is for guidance only - for exact specification, please contact our sales team

Code	Clear Opening	A	B	C	D	E	F	G	H	J	K	L	M	N	Kgs
SEINE	315 x 250	315	250	695	630	432	125	22	342	190	22	190	22	497	198
RHINE	425 x 280	425	280	925	780	531	140	28	450	250	26	250	26	676	358
TORRENS	610 x 305	610	305	1130	862	565	152	21	356	178	21	224	21	965	396
MISSISSIPPI	600 x 450	600	450	1160	1010	706	225	30	504	280	30	280	30	866	629

Please e-mail us at enquiries@liftingandmarine.com with your enquiry

www.liftingandmarine.com