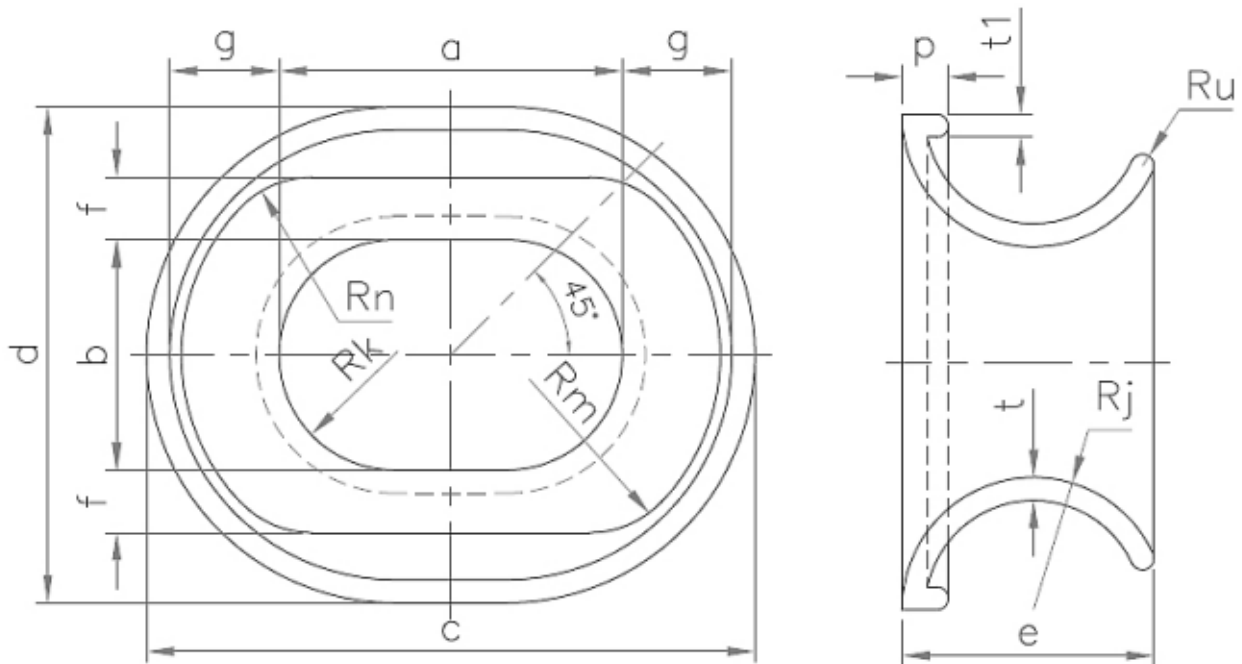




"...the only port of call you'll ever need..."

Bulwark Mounted Panama Bows (Sheet 2)

Lifting & Marine Services Limited supply chocks which fit directly into the bulwark making it easy to pass mooring lines onto the deck.



Technical Schematics :

Note:

Technical data is for guidance only - for exact specification, please contact our sales team

STD	Size	A	B	C	D	E	F	G	Rj	Rk	Rm	Rn	P	T	Ru	T1	Kgs
VIS 2 - Swedish Std	300 x 200	300	200	530	430	220	55	85	115	100	185	82	40	20	10	20	60
VIS 2 - Swedish Std	400 x 250	400	250	750	600	340	100	130	180	125	255	152	50	25	12.5	25	144
DVS 47004 Danish Std	300 x 250	300	250	660	610	348	100	130	180	125	255	152	50	20	10	25	101
DVS 47004 Danish Std	400 x 250	400	250	760	610	348	100	130	180	125	255	152	50	25	12.5	25	144
NS 2589 Norsk Std	300 x 250	300	250	660	610	348	100	130	180	125	255	152	50	20	10	25	101
NS 2589 Norsk Std	400 x 250	400	250	760	610	348	100	130	180	125	255	152	50	25	12.5	25	143
NS 2589 CP Curved Plt Norsk Std	400 x 250	400	250	760	610	348	100	130	180	125	255	170	25	12.5			230

Please e-mail us at enquiries@liftingandmarine.com with your enquiry

www.liftingandmarine.com