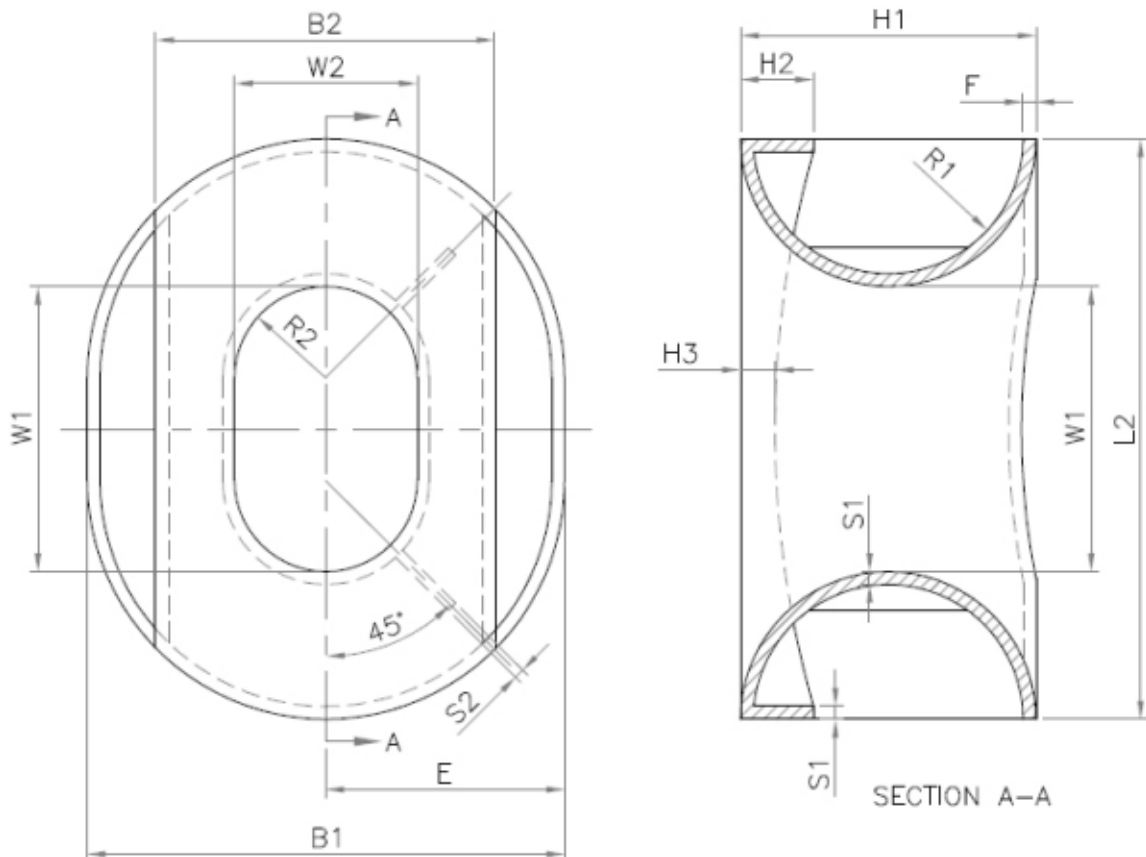




"...the only port of call you'll ever need..."

Bulwark Mounted Panama Bows - DIN 81915

Lifting & Marine Services Limited supply chocks which fit directly into the bulwark making it easy to pass mooring lines onto the deck.



Technical Schematics :

Note:

Technical data is for guidance only - for exact specification, please contact our sales team

| Type | Kn | B1 | B2 | E | F | H1 | H2 | H3 | L2 | R1 | R2 | S1 | S2 | W1 | W2 | Kgs |
|------|-----|------|-----|-------|----|-----|-----|----|------|-----|-------|----|----|-----|-----|-----|
| A | 50 | 480 | 340 | 240 | 24 | 300 | 80 | 38 | 550 | 150 | 90 | 16 | 8 | 250 | 180 | 74 |
| A8 | 80 | 585 | 415 | 292.5 | 27 | 260 | 90 | 45 | 680 | 180 | 112.5 | 18 | 9 | 320 | 225 | 120 |
| A12 | 125 | 710 | 500 | 355 | 30 | 440 | 110 | 55 | 840 | 220 | 135 | 20 | 10 | 400 | 270 | 185 |
| A20 | 200 | 840 | 595 | 420 | 33 | 520 | 130 | 35 | 1020 | 260 | 160 | 22 | 11 | 500 | 320 | 285 |
| A32 | 320 | 1100 | 800 | 550 | -- | 700 | 150 | 80 | 1300 | 350 | 200 | 35 | 20 | 600 | 400 | 795 |

Please e-mail us at enquiries@liftingandmarine.com with your enquiry

www.liftingandmarine.com