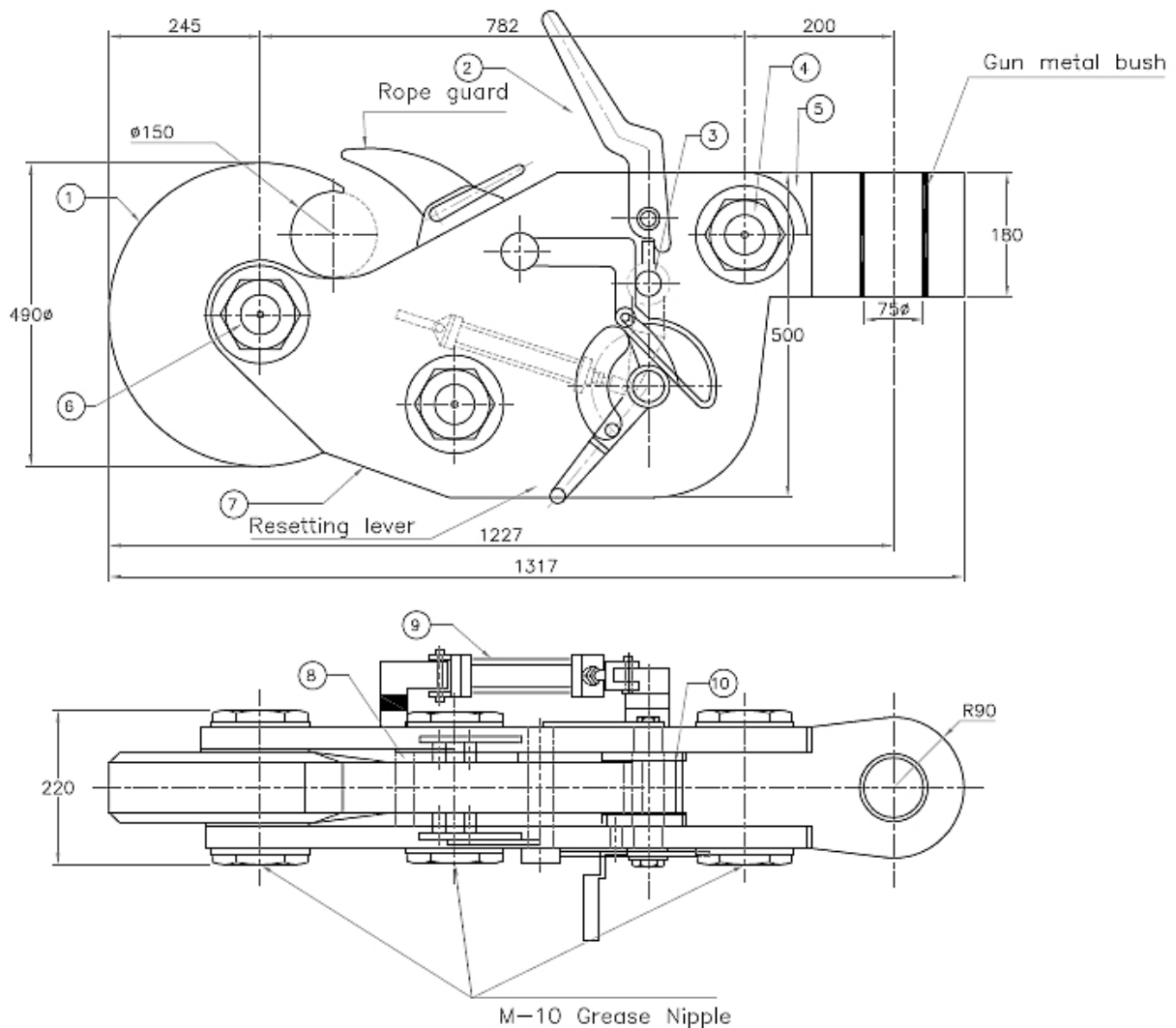




"...the only port of call you'll ever need..."

## Capstan Towing Hook

25 Tonne with Pneumatic Quick Release Mechanism - LMS210154



**Si No: Description**

1	Hook
2	Release Lever (Manual)
3	Release Pin
4	Swivel Pin
5	Swivel

**Si No: Description**

6	Hook Pin
7	Cheek Plate
8	Locking Cam
9	Pneumatic Cylinder
10	Main Lock

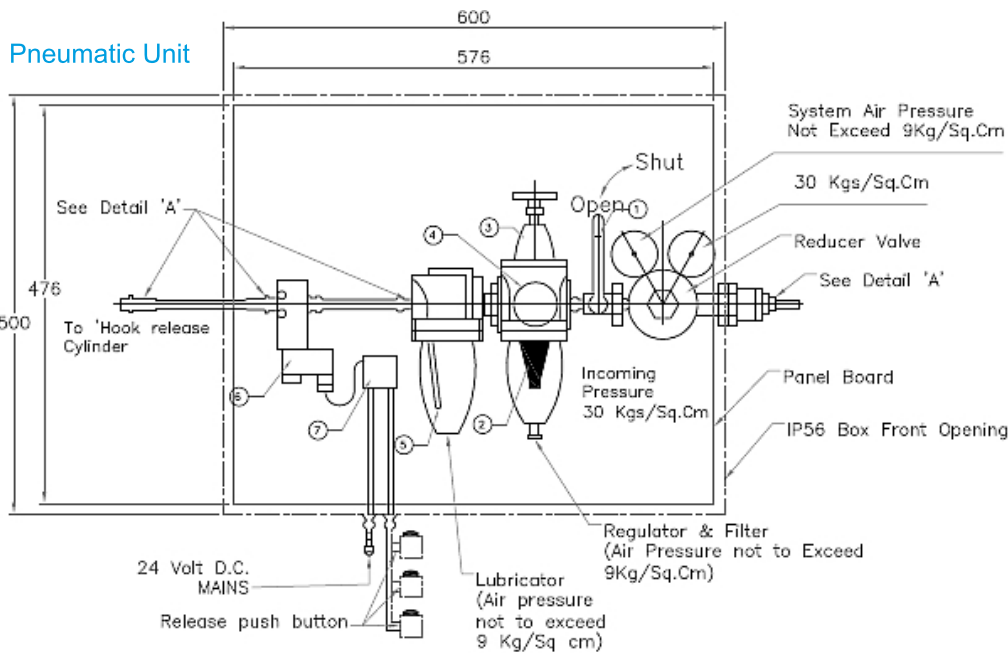
All Dimensions in Millimeters

[www.liftingandmarine.com](http://www.liftingandmarine.com)

"...the only port of call you'll ever need..."

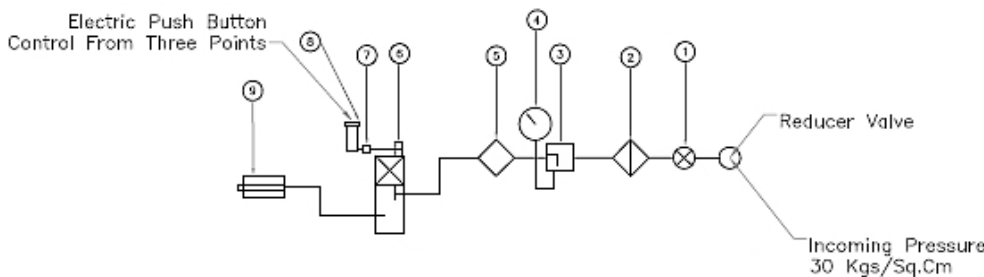
## Capstan Towing Hook

25 Tonne with Pneumatic Quick Release Mechanism - LMS210154

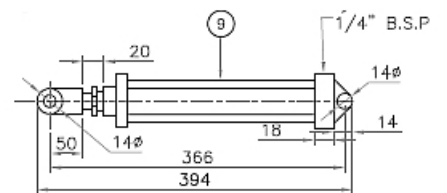


Si No:	Description	Qty:
1	Shut off valve	1
2	Filter	1
3	Regulator	1
4	Pressure Guage	1
5	Lubricator	1
6	Solenoid Valve	1
7	Junction Box	1
8	Electric Push Button	3
9	Pneumatic Cylinder	1

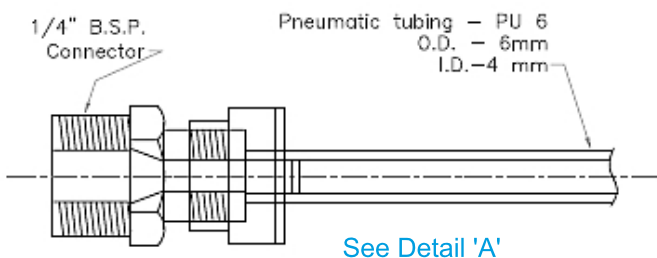
### Pneumatic Circuit Diagram



### Single Acting Pneumatic Cylinder



Si No:	Description
1	Nominal Bore - 40Ø
2	Rod diameter - 22Ø
3	Stroke - 100mm
4	Max. pressure - 10 Kg/Sq.cm
5	Spring Return
6	Material - Stainless Steel



See Detail 'A'

All Dimensions in Millimeters