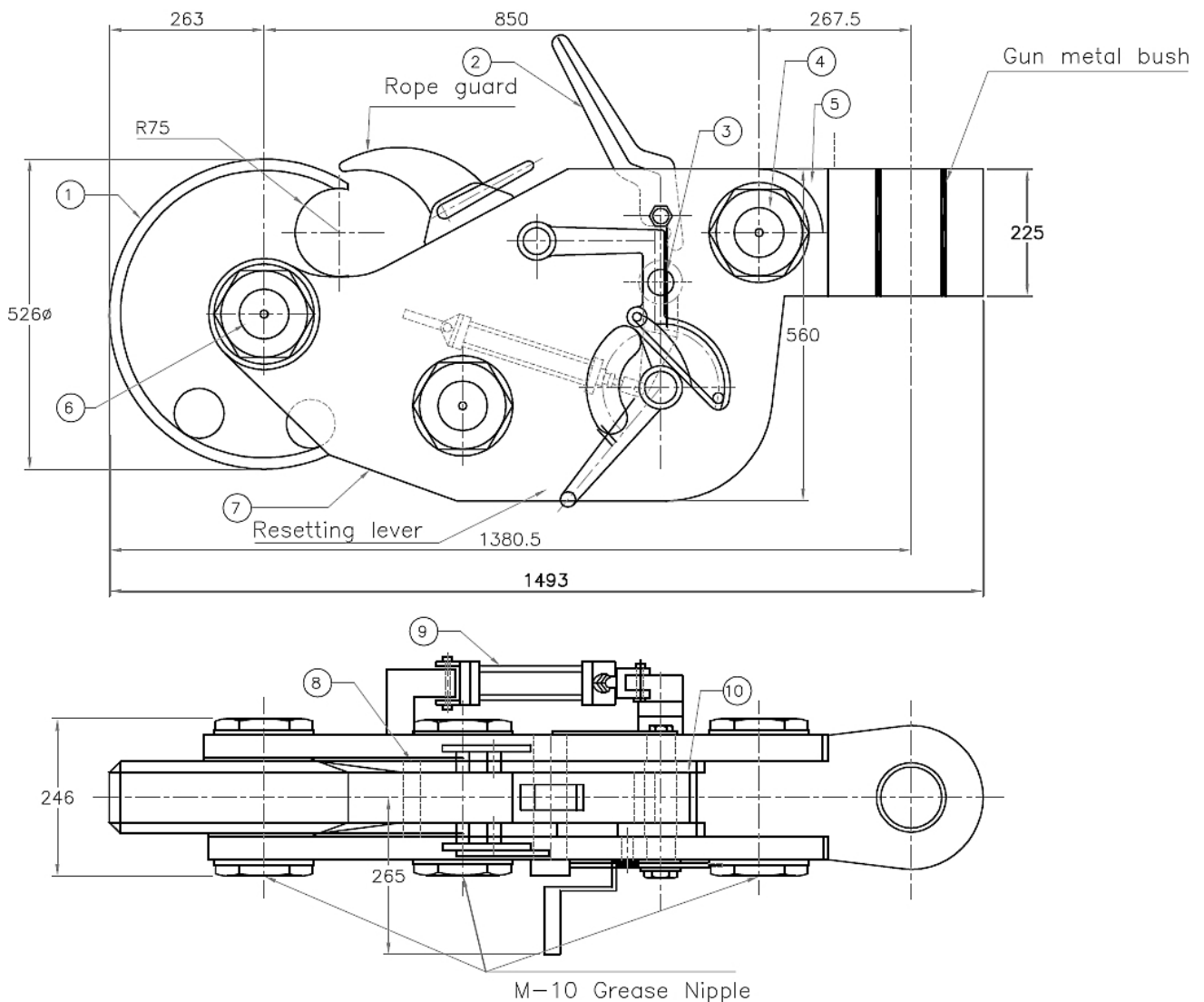




"...the only port of call you'll ever need..."

## Capstan Towing Hook

40 Tonne with Pneumatic Quick Release Mechanism - LMS210152



Si No:	Description	Material (SPCN)
1	Hook	Steel - IS-1030 Gr30 - 57
2	Release Lever (Manual)	Steel - St.33
3	Release Pin	Stainless - AISI-316
4	Swivel Pin	Steel - BS-970-EN-19
5	Swivel	Steel - IS-1030 Gr30 - 57

Si No:	Description	Material (SPCN)
6	Hook Pin	Steel - BS-970-EN-19
7	Cheek Plate	Steel - St.52-3
8	Locking Cam	Steel - IS-1030 Gr30 - 57
9	Pneumatic Cylinder	Stainless - AISI-316
10	Main Lock	Steel - IS-1030 Gr30 - 57

All Dimensions in Millimeters

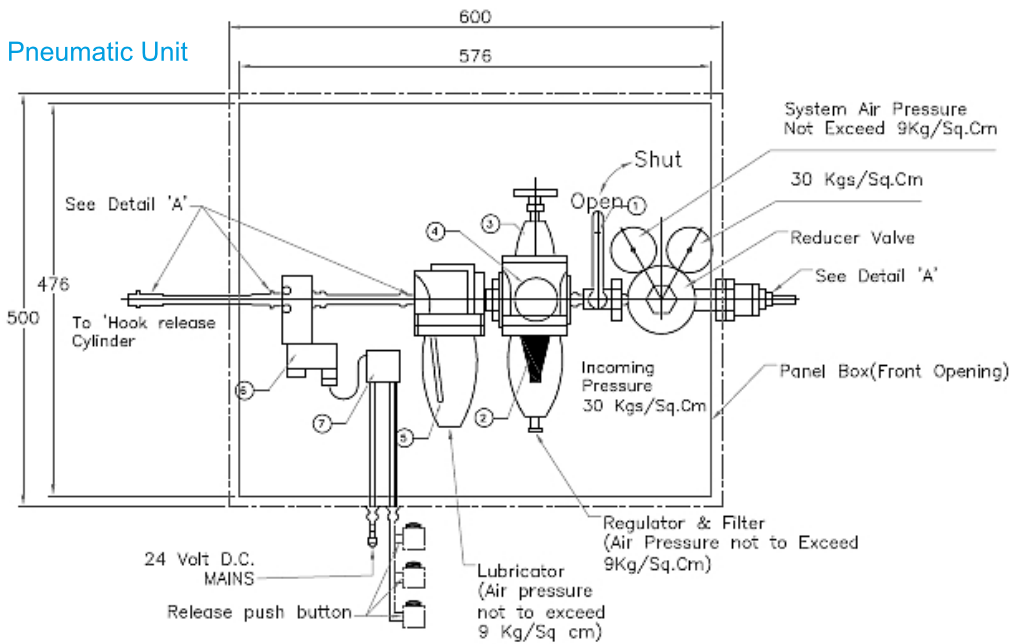
[www.liftingandmarine.com](http://www.liftingandmarine.com)



"...the only port of call you'll ever need..."

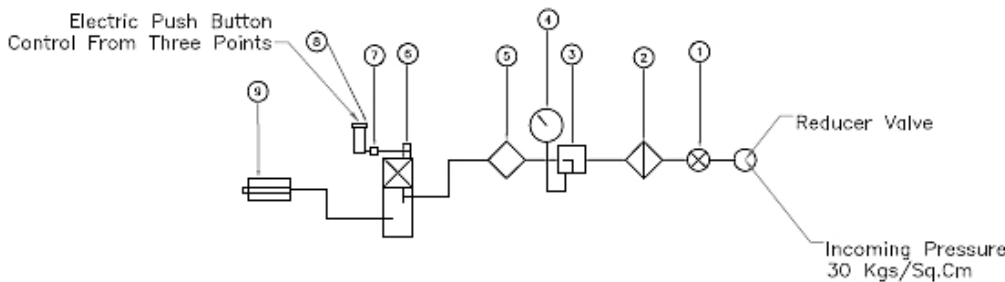
## Capstan Towing Hook

40 Tonne with Pneumatic Quick Release Mechanism - LMS210152

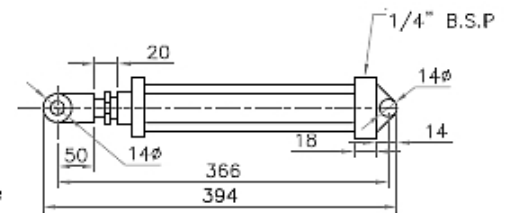


Sl No:	Description	Qty:
1	Shut off valve	1
2	Filter	1
3	Regulator	1
4	Pressure Gauge	1
5	Lubricator	1
6	Solenoid Valve	1
7	Junction Box	1
8	Electric Push Button	3
9	Pneumatic Cylinder	1

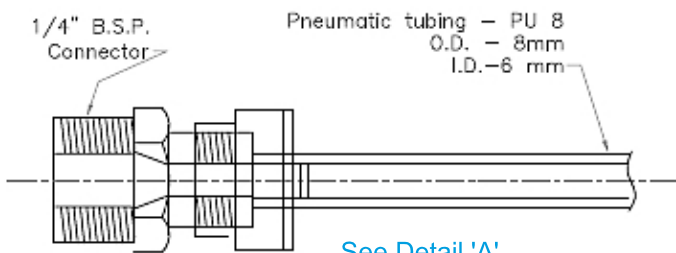
### Pneumatic Circuit Diagram



### Single Acting Pneumatic Cylinder



Sl No:	Description
1	Nominal Bore - 40Ø
2	Rod diameter - 22Ø
3	Stroke - 100mm
4	Max. pressure - 10 Kg/Sq.cm
5	Spring Return
6	Material - Stainless Steel



See Detail 'A'

All Dimensions in Millimeters