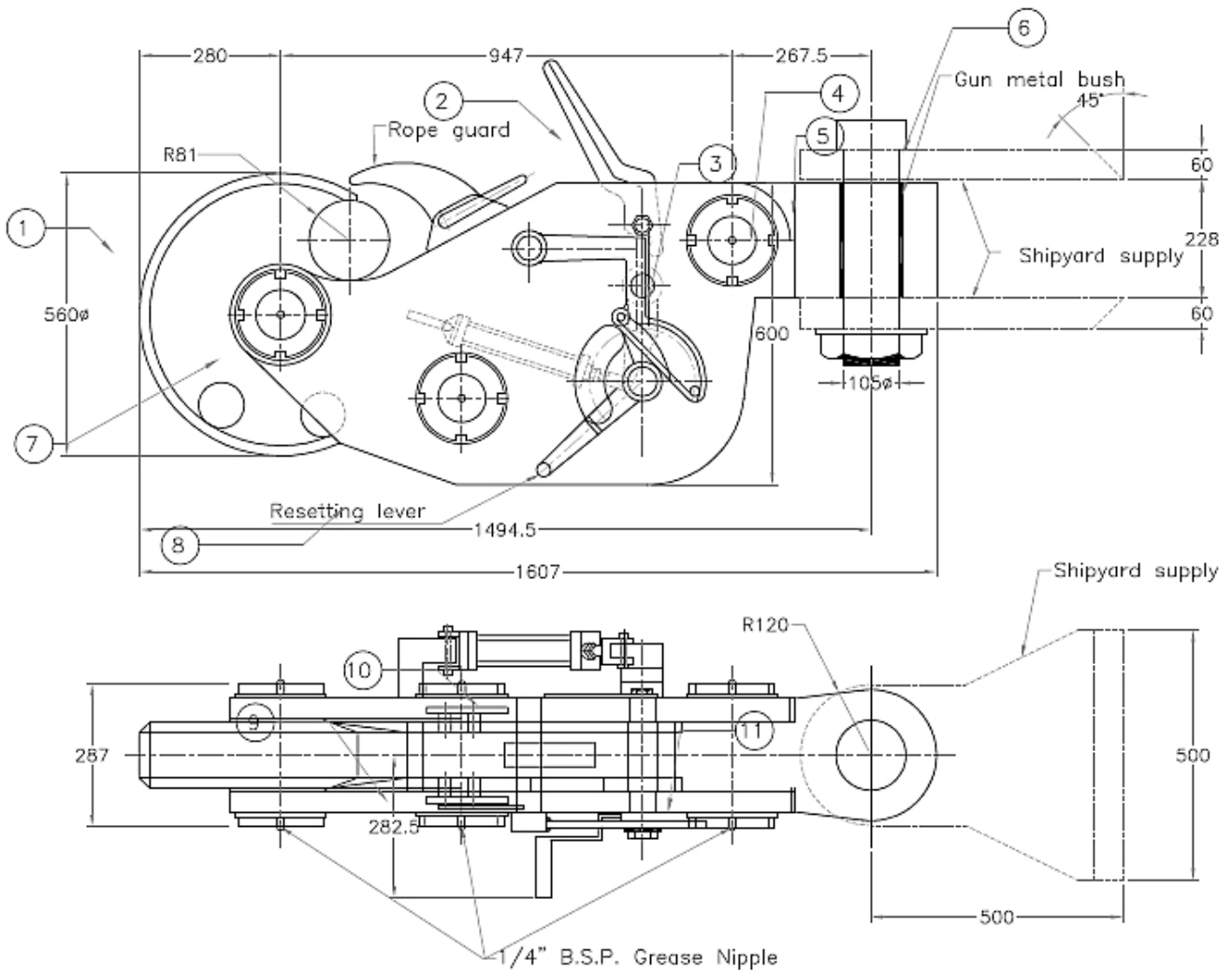




"...the only port of call you'll ever need..."

## Capstan Towing Hook

60 Tonne with Pneumatic Quick Release Mechanism - LMS210153



Si No:	Description	Material (SPCN)
1	Hook	Steel - IS-1030 Gr30 - 57
2	Release Lever (Manual)	Steel - St.37-2
3	Release Pin	Stainless - AISI-316
4	Swivel Pin	Steel - BS-970-EN-19
5	Swivel	Steel - IS-1030 Gr30 - 57
6	Postpin	Steel - BS-970-EN-19

Si No:	Description	Material (SPCN)
7	Hook Pin	Steel - BS-970-EN-19
8	Cheek Plate	Steel - IS : 2062
9	Locking Cam	Steel - IS-1030 Gr30 - 57
10	Pneumatic Cylinder	Stainless - AISI-316
11	Main Lock	Steel - IS-1030 Gr30 - 57

All Dimensions in Millimeters

[www.liftingandmarine.com](http://www.liftingandmarine.com)

© Lifting & Marine Services Limited 2012

Lifting & Marine Services Limited is an ISO 9001:2000 accredited business