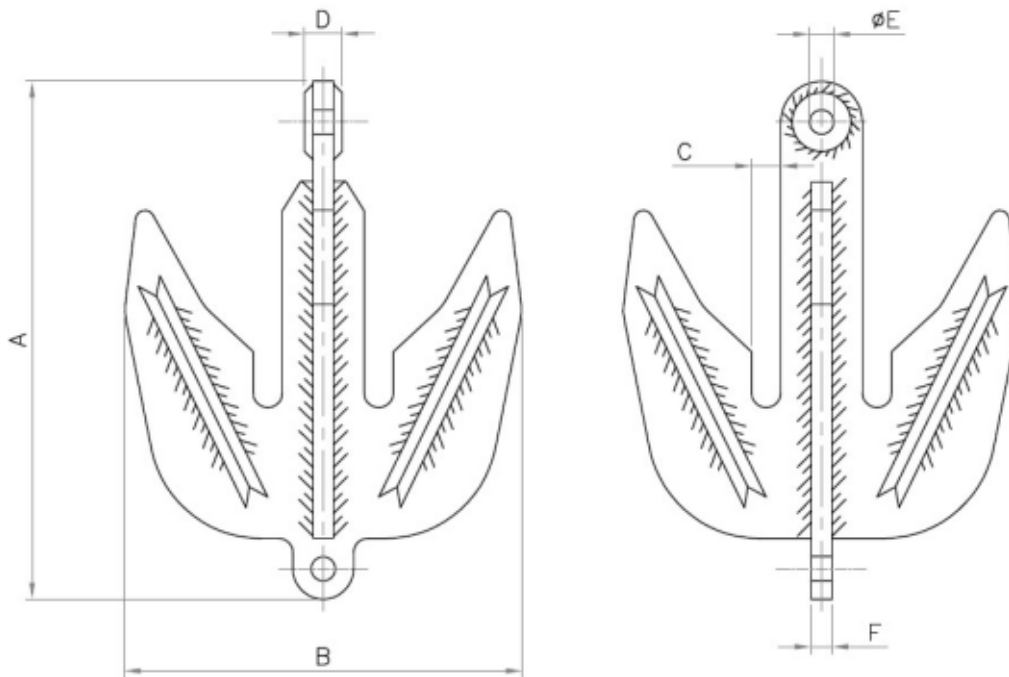




"...the only port of call you'll ever need..."

## Chain Grapnel Anchor



### Technical Schematics :

**Note:**

Technical data is for guidance only. For exact specification, please contact our sales team.

SWL Te	Dimensions in mm						Weight (Kg)
	A	B	C	D	E	F	
150	1778	1372	102	114	86	76	1350
250	2008	1670	125	200	135	100	2630

Our chain grapnel anchors are used to retrieve chains which have become detached from the main buoy or ships chain locker.

Manufactured from high tensile steel, the anchor is welded using procedures approved by IACS

We can supply chain grapnel anchors for recovery of chain weights up to 300te.

Please refer to the drawing and technical data above. To receive a competitive quotation please send us your email enquiry to us today at [enquiries@liftingandmarine.com](mailto:enquiries@liftingandmarine.com)