



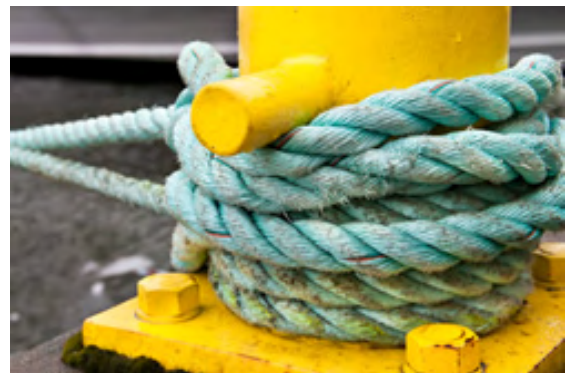
"...the only port of call you'll ever need..."

Cruciform Bollard Range

Ideal for mooring & towing applications, our Cruciform Bollards are fabricated from high quality steel and can be supplied to you primed or galvanised and painted

Fabricated from high quality steel, our cruciform bollards are suitable for use with wire and traditional ropes and can be used 'on deck' or at the quayside dependent on the size of unit you require.

Please refer to the technical data table below. To receive a competitive quotation please send us your email enquiry to us today at enquiries@liftingandmarine.com

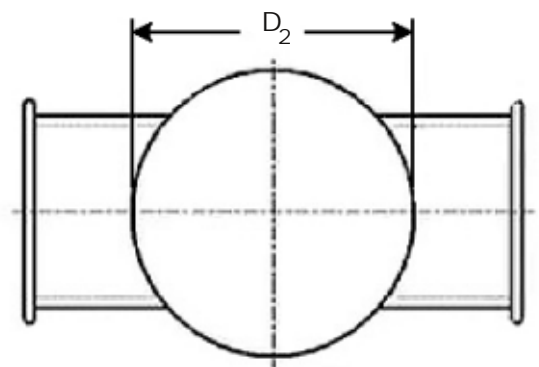
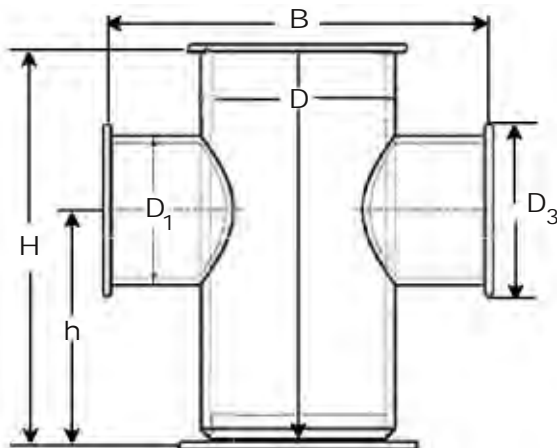


Technical Schematics :

Note:

Technical data is for guidance only - for exact specification, please contact our sales team

Nominal Dia (mm)	Dimensions in mm							Mass (kgs)	Wire Rope Dia. (mm)
	H	h	B	D	D1	D2	D3		
150	480	280	460	165	114	206	158	33	16
200	560	320	520	216	165	256	206	60	22
250	640	360	610	267	216	308	256	102	28
300	680	380	660	318	267	360	308	154	34
350	720	420	720	355	267	400	312	186	38



Please note that our bollards can be certified by all the major classification societies.
Please e-mail us at enquiries@liftingandmarine.com with your enquiry

www.liftingandmarine.com