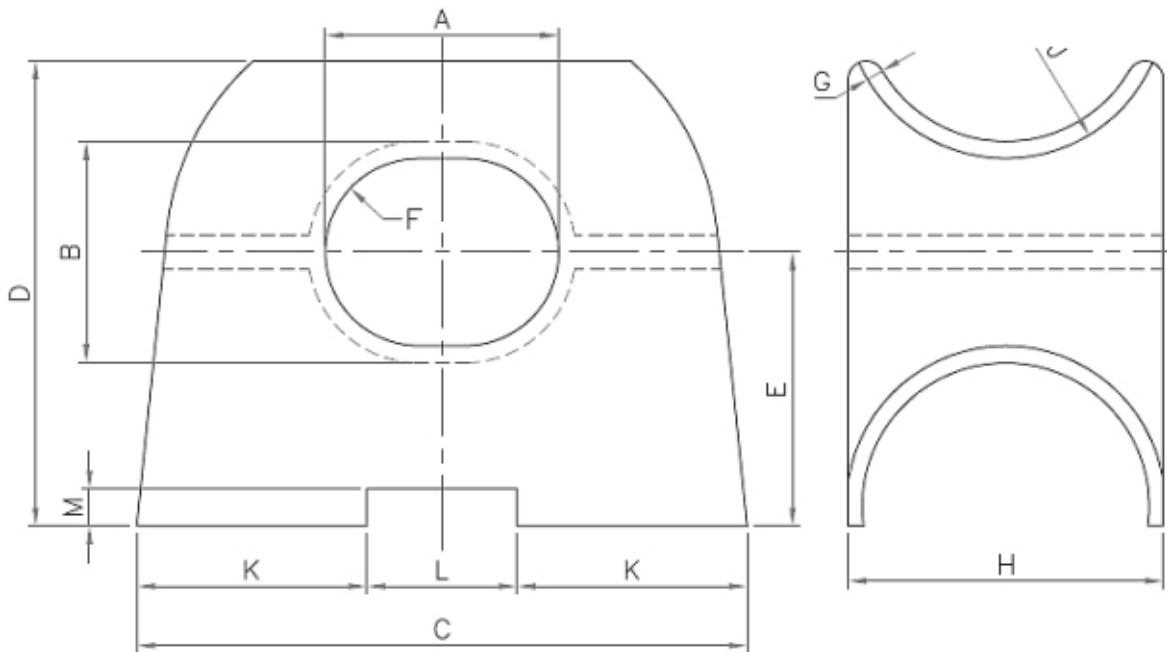




"...the only port of call you'll ever need..."

## Deck Mounted Panama Bows (Sheet 1)

Lifting & Marine Services Limited specialise in the supply of Deck Mounted Panama Bows & Chocks as part of your 'on deck' mooring solution.



### Technical Schematics :

**Note:**

Technical data is for guidance only - for exact specification, please contact our sales team

Code	Size	A	B	C	D	E	F	G	H	J	K	L	M	Kgs
AMAZON	315 x 250	315	250	815	620	365	125	22	380	190	307.5	200	50	--
NILE	425 x 280	425	280	1075	785	450	140	26	500	250	412.5	250	60	378
HUDSON	600 x 450	600	450	1360	1000	575	225	30	560	280	530	300	70	628

Please e-mail us at [enquiries@liftingandmarine.com](mailto:enquiries@liftingandmarine.com) with your enquiry

[www.liftingandmarine.com](http://www.liftingandmarine.com)