



"...the only port of call you'll ever need..."

Delta Anchor Range (HHP)

Made from high quality carbon steel, our flipper Delta Anchor range offers you excellent efficiency with superb high holding power characteristics

The Delta anchor has an open construction which makes it ideal for use in all types of soil. With outstanding stability, our anchors are used extensively in the offshore vessel industry.

Please refer to the technical data table below. To receive a competitive quotation please send us your email enquiry to us today at enquiries@liftingandmarine.com

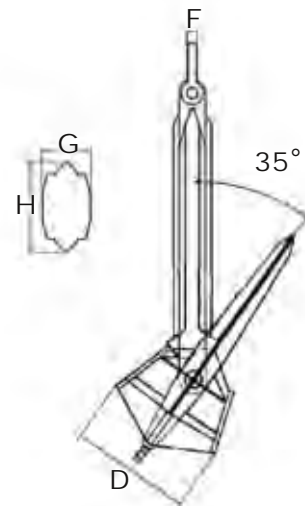
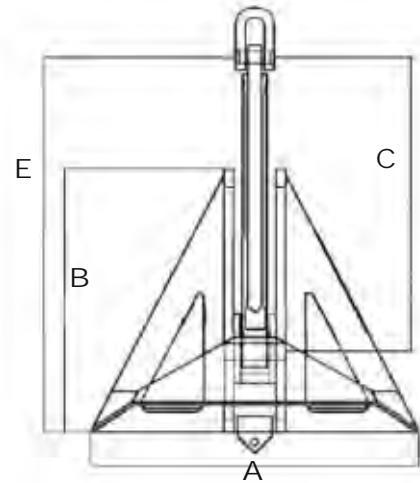


Technical Schematics :

Note:

Technical data is for guidance only - contact out sales team for exact details

Anchor Weight (Kg)	Dimensions in mm							
	A	B	C	D	E	F	G	H
300	1200	960	1080	457	1380	50	86	150
500	1500	1200	1350	571	1725	55	108	188
750	1700	1360	1530	647	1955	60	122	213
1000	1875	1500	1686	714	2155	65	135	234
1500	2138	1710	1921	814	2455	70	154	267
2000	2363	1890	2124	900	2715	75	170	295
2500	2544	2035	2289	969	2925	80	183	318
3000	2700	2160	2430	1028	3105	90	194	338
4000	2975	2380	2676	1133	3420	100	214	372
5000	3250	2600	2922	1238	3735	110	234	406
7000	3575	2860	3216	1361	4110	125	257	447
10000	4100	3280	3690	1561	4715	140	295	513
13500	4450	3560	4002	1695	5115	150	300	556
15000	4625	3685	4160	1771	5315	155	310	580
18000	4900	3920	4410	1866	5635	160	353	613
22500	5300	4240	4770	2018	6095	170	381	663
27500	5650	4520	5082	2152	6495	180	406	706
32500	5900	4720	5310	2247	6785	190	424	738



Features:

- Streamlined design for quicker penetration & shorter drag
- Adjustable Fluk / Shank angle from 35° to 50°
- Intermediate anchor sizes available
- Outstanding stability and excellent in all types of soil

Please note that our anchors can be certified by all the major classification societies.
Please e-mail us at enquiries@liftingandmarine.com with your enquiry