



"...the only port of call you'll ever need..."

## LMS 38 Swivel Head Anchor Fairlead

Utilising a deck mounted, double sheave 2 roller design, our swivel head fairleads are a long life solution for ship deck applications.

Manufactured from high quality steel and supplied with a primer painted finished, the fairlead is prepared ready for immediate vessel installation.

Please refer to the technical data table below. To receive a competitive quotation please send us your email enquiry to us today at [enquires@liftingandmarine.com](mailto:enquires@liftingandmarine.com)



### Technical Schematics :

**Note:**

Technical data is for guidance only - for exact specification, please contact our sales team

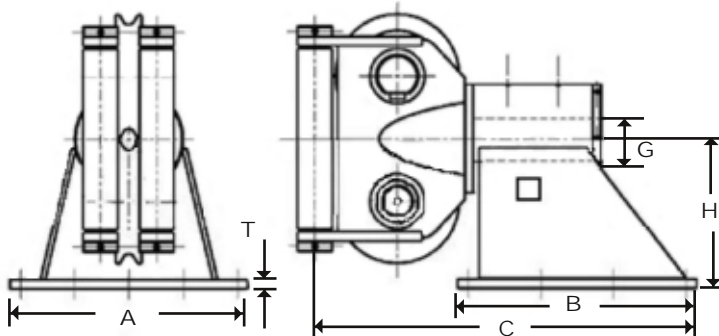
| Wire Rope Dia.<br>(mm) | Sheave<br>Dia(mm) | Dimensions in mm |      |      |      |    |      |     | Mass<br>(kgs) |
|------------------------|-------------------|------------------|------|------|------|----|------|-----|---------------|
| (inch)                 |                   | A                | B    | C    | T    | H  | G    |     |               |
| 25                     | 1                 | 254              | 486  | 420  | 722  | 20 | 277  | 70  | 210           |
| 32                     | 1 - 1/4           | 304              | 570  | 492  | 839  | 20 | 342  | 104 | 365           |
| 38                     | 1 - 1/2           | 406              | 780  | 782  | 1266 | 30 | 489  | 143 | 850           |
| 44                     | 1 - 3/4           | 508              | 1064 | 914  | 1467 | 40 | 546  | 150 | 1520          |
| 50                     | 2                 | 610              | 1219 | 1067 | 1763 | 40 | 648  | 186 | 2600          |
| 64                     | 2 - 1/2           | 762              | 1372 | 1219 | 2045 | 50 | 800  | 230 | 4000          |
| 76                     | 3                 | 938              | 1800 | 1500 | 2634 | 50 | 950  | 300 | 7200          |
| 82                     | 3 - 1/4           | 1020             | 1800 | 2000 | 3186 | 50 | 1100 | 320 | 10800         |

**Note:**

Wire rope at 90° wrap on sheave and 360° rotation of swivel head.

Optional:

1. Tail Sheave / Tail Roller as requested
2. Bolt mounted



Please note that our anchors can be certified by all the major classification societies.  
Please e-mail us at [enquires@liftingandmarine.com](mailto:enquires@liftingandmarine.com) with your enquiry

[www.liftingandmarine.com](http://www.liftingandmarine.com)