



"...the only port of call you'll ever need..."

LMS 39

Swivel Head Anchor Fairlead

Utilising a deck mounted, double sheave 2 roller design, our swivel head fairleads are a long life solution for ship deck applications.

Manufactured from high quality steel and supplied with a primer painted finished, the fairlead is prepared ready for immediate vessel installation.

Please refer to the technical data table below. To receive a competitive quotation please send us your email enquiry to us today at enquiries@liftingandmarine.com



Technical Schematics :

Note:

Technical data is for guidance only - for exact specification, please contact our sales team

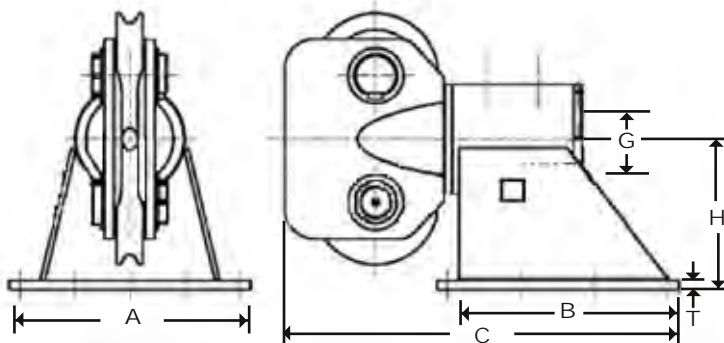
Wire Rope Dia. (mm)	Sheave Dia(mm)	Dimensions in mm							Mass (kgs)
(inch)		A	B	C	T	H	G		
25	1	254	559	356	651	20	292	90	367
32	1 - 1/4	305	711	508	862	30	343	100	612
38	1 - 1/2	406	780	782	1231	30	489	150	720
44	1 - 3/4	508	1067	914	1503	50	546	190	1700
50	2	610	1219	1067	1775	50	648	220	2108
64	2 - 1/2	762	1370	1550	2400	50	800	300	4370

Note:

Wire rope at 90° wrap on sheave and 360° rotation of swivel head.

Optional:

1. Tail Sheave / Tail Roller as requested
2. Bolt mounted



Please note that our anchors can be certified by all the major classification societies.
Please e-mail us at enquiries@liftingandmarine.com with your enquiry

www.liftingandmarine.com