



"...the only port of call you'll ever need..."

## LMS 40 Swivel Head Anchor Fairlead

Utilising a deck mounted, balanced weight, single roller design, our swivel head fairleads are a long life solution for ship deck applications.

Manufactured from high quality steel and supplied with a primer painted finished, the fairlead is prepared ready for immediate vessel installation.

Please refer to the technical data table below. To receive a competitive quotation please send us your email enquiry to us today at [enquires@liftingandmarine.com](mailto:enquires@liftingandmarine.com)



### Technical Schematics :

**Note:**

Technical data is for guidance only - for exact specification, please contact our sales team

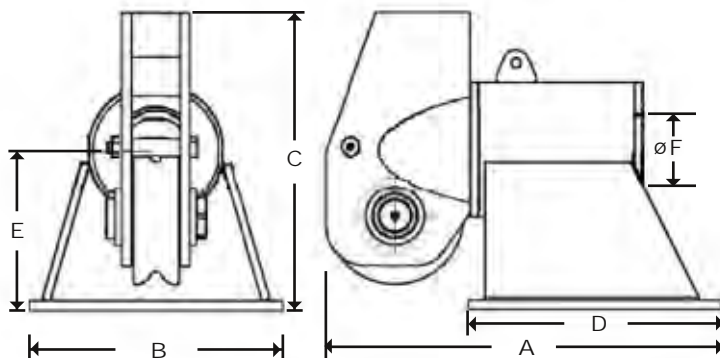
| Wire Rope Dia.<br>(mm) | Sheave<br>Dia(mm) | Dimensions in mm |      |      |      |      |     |     | Mass<br>(kgs) |
|------------------------|-------------------|------------------|------|------|------|------|-----|-----|---------------|
|                        |                   | A                | B    | C    | D    | E    | F   |     |               |
| 19                     | 3/4               | 210              | 627  | 406  | 511  | 405  | 279 | 114 | 122           |
| 25                     | 1                 | 254              | 756  | 489  | 625  | 491  | 343 | 143 | 225           |
| 32                     | 1 - 1/4           | 305              | 790  | 480  | 735  | 400  | 375 | 180 | 380           |
| 38                     | 1 - 1/2           | 424              | 1220 | 782  | 921  | 782  | 495 | 205 | 941           |
| 44                     | 1 - 3/4           | 508              | 1201 | 724  | 1156 | 614  | 597 | 241 | 953           |
| 50                     | 2                 | 610              | 1343 | 762  | 1138 | 756  | 648 | 305 | 1202          |
| 57                     | 2 - 1/4           | 632              | 1515 | 1022 | 1543 | 769  | 800 | 330 | 2177          |
| 64                     | 2 - 1/2           | 762              | 1670 | 1016 | 1784 | 769  | 921 | 368 | 2722          |
| 76                     | 3                 | 1012             | 2335 | 1400 | 1822 | 1300 | 970 | 410 | 6300          |

**Note:**

Wire rope at 90° wrap on sheave and 360° rotation of swivel head.  
Enable anchor line to pass through with Splice Eye.

Optional:

1. Tail Sheave / Tail Roller as requested
2. Bolt mounted



Please note that our anchors can be certified by all the major classification societies.  
Please e-mail us at [enquires@liftingandmarine.com](mailto:enquires@liftingandmarine.com) with your enquiry

[www.liftingandmarine.com](http://www.liftingandmarine.com)