



"...the only port of call you'll ever need..."

## Mooring Winch

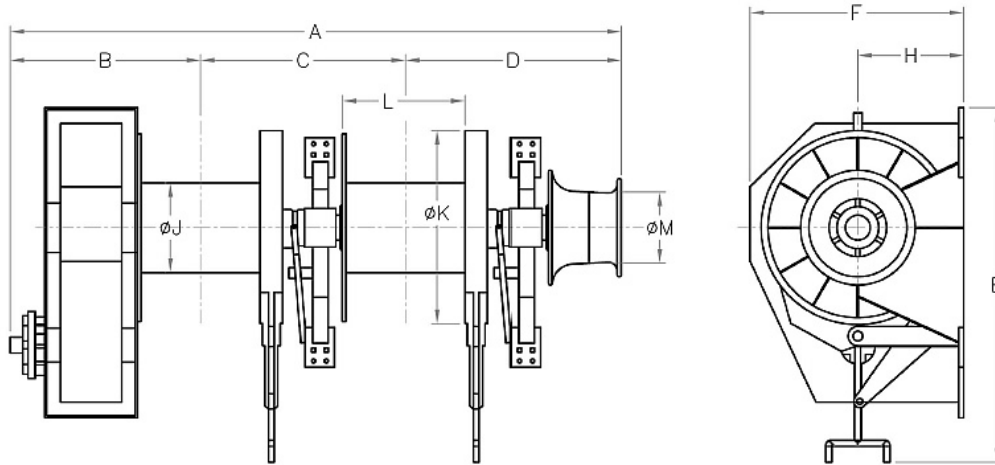


### Mooring Winch - Double Drum (Hydraulic Drive)

Product Code: WDDH - A

Model	Pull Load (kN)	Holding Load (kN)	Hawser Drum (at 1st layer)		Hawser Dia. (mm)	Drum Dia. (mm)	Hydraulic Motor	
			Nominal Speed (M/min)	Light-Line Speed (M/min)			Type	Required Power (kW)
WDDH-A-050	50	150	15	30	55	400	GM1	22
WDDH-A-100	100	260	15	30	65	400	GM2	50
WDDH-A-125	125	350	15	30	70	450	GM2	62
WDDH-A-160	160	470	15	30	70	450	GM2	75
WDDH-A-200	200	590	15	30	76	450	GM3	94
WDDH-A-250	250	730	15	30	80	450	GM4	110

\* Hawser storage: 220m



Model	Outside Dimensions (mm)										
	A	B	C	D	E	F	H	J	K	L	M
WDDH-A-050	3800	1400	1200	980	1560	1420	620	400	1200	800	400
WDDH-A-100	4010	1550	1360	1100	1800	1600	750	400	1360	880	400
WDDH-A-125	4220	1650	1435	1135	1850	1600	760	450	1560	880	400
WDDH-A-160	4520	1800	1510	1210	1900	1700	760	450	1560	880	450
WDDH-A-200	4740	1900	1585	1255	2200	1800	800	450	1660	920	450
WDDH-A-250	4920	2000	1635	1285	2300	1950	900	450	1730	920	450

#### Remarks:

1. Compact design minimise space required for installation
2. Simple design along with integrated and sealed for ease of inspection and maintenance
3. Total enclosed gear type and local control
4. Hydraulic Brake, Clutch on request
5. Remote control or Auto-Tension is available on request
6. Electric driven with frequency inverter on request