



"...the only port of call you'll ever need..."

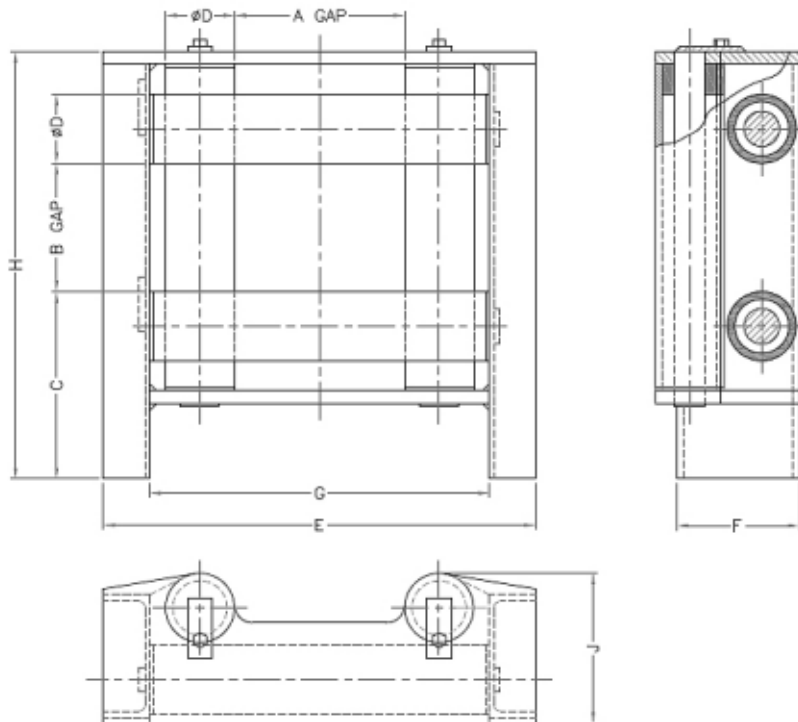
Multi-Angle Fairlead LMS 31



Technical Schematics :

Note:

Technical data is for guidance only - for exact specification, please contact our sales team



| Type | Part No | SWL (tonnes) | Wire Rope (Dia) | A | B | C | D | E | F | G | H | J |
|------|---------|-----------------|-----------------------|-----|-----|-----|-----|------|-----|-----|------|-----|
| | | | | | | | | | | | | |
| 114 | A2-605 | 5 | - 10 | 254 | 152 | 309 | 114 | 686 | 203 | 534 | 645 | 248 |
| 140 | A2-608 | 8 | - 16 | 254 | 152 | 335 | 140 | 756 | 254 | 578 | 697 | 300 |
| 168 | A2-610 | 12 | - 20 | 254 | 152 | 363 | 168 | 812 | 305 | 634 | 753 | 356 |
| 194 | A1-612 | 20 | - 28 | 324 | 200 | 389 | 194 | 966 | 381 | 762 | 853 | 408 |
| 273 | A1-614 | 24 | - 32 | 324 | 200 | 543 | 273 | 1124 | 432 | 920 | 1111 | 566 |

Please note that our fairleads can be certified by all the major classification societies.
Please e-mail us at enquiries@liftingandmarine.com with your enquiry

www.liftingandmarine.com



"...the only port of call you'll ever need..."

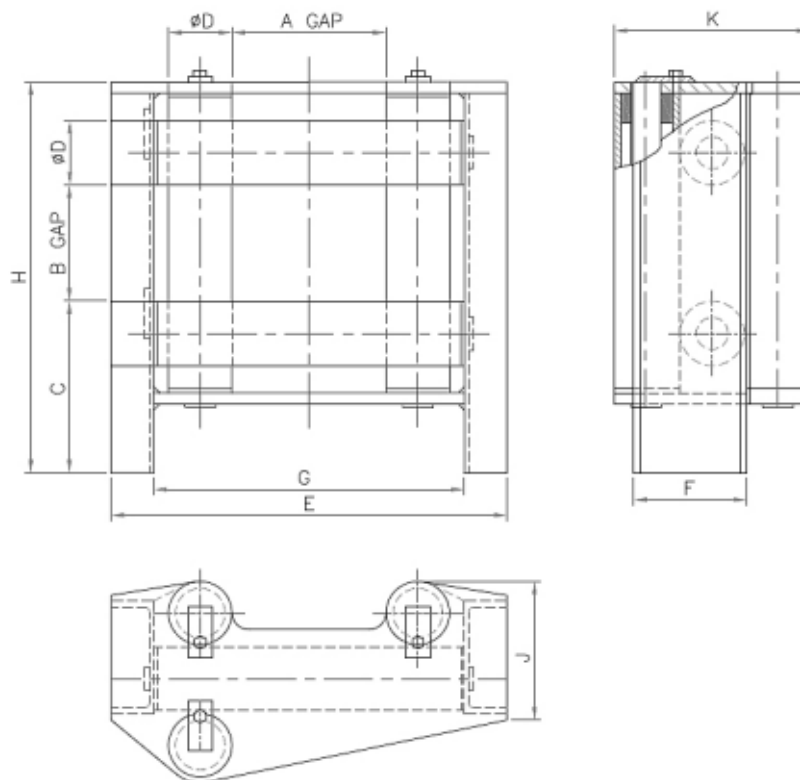
Multi-Angle Fairlead LMS 32



Technical Schematics :

Note:

Technical data is for guidance only - for exact specification, please contact our sales team



| Type | Part No | SWL (tonnes) | Wire Rope (Dia) | A | B | C | D | E | F | G | H | J | K |
|------|---------|-----------------|-----------------------|-----|-----|-----|-----|------|-----|-----|------|-----|-----|
| 114 | A2-606 | 5 | - 10 | 254 | 152 | 309 | 114 | 686 | 203 | 534 | 645 | 248 | 362 |
| 140 | A2-609 | 8 | - 16 | 254 | 152 | 335 | 140 | 756 | 254 | 578 | 697 | 300 | 440 |
| 168 | A2-611 | 12 | - 20 | 254 | 152 | 363 | 168 | 812 | 305 | 634 | 753 | 356 | 524 |
| 194 | A1-613 | 20 | - 28 | 324 | 200 | 389 | 194 | 966 | 381 | 762 | 853 | 408 | 602 |
| 273 | A1-615 | 24 | - 32 | 324 | 200 | 543 | 273 | 1124 | 432 | 920 | 1111 | 566 | 838 |

Please note that our fairleads can be certified by all the major classification societies.
Please e-mail us at enquiries@liftingandmarine.com with your enquiry

www.liftingandmarine.com



"...the only port of call you'll ever need..."

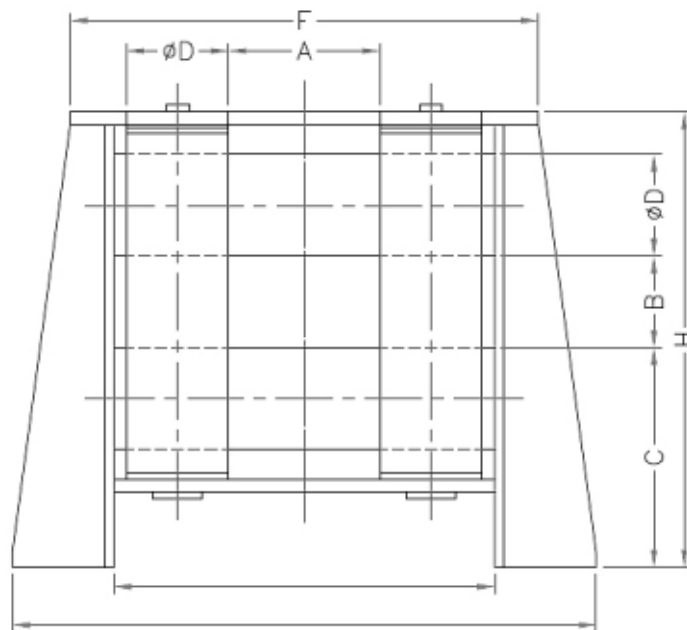
Multi-Angle Fairlead LMS 33



Technical Schematics :

Note:

Technical data is for guidance only - for exact specification, please contact our sales team



Dimension J = thickness of Fairleads

| Type | Part No | SWL (tonnes) | Wire Rope (Dia) | A | B | C | D | E | F | G | H | J |
|------|---------|--------------|-----------------|-----|-----|-----|-----|------|------|------|------|-----|
| 114 | A2-562 | 8 | 10-15 | 254 | 152 | 309 | 114 | 800 | 666 | 534 | 645 | 280 |
| 140 | A2-525x | 12 | 16-20 | 254 | 152 | 335 | 140 | 898 | 724 | 578 | 697 | 356 |
| 168 | A2-551x | 16 | 21-26 | 254 | 152 | 363 | 168 | 970 | 778 | 634 | 753 | 40 |
| 194 | A1-556 | 25 | 27-34 | 324 | 200 | 389 | 194 | 1258 | 1016 | 762 | 853 | 457 |
| 273 | A1-511 | 38 | 65-40 | 324 | 200 | 543 | 273 | 1492 | 1168 | 920 | 1111 | 682 |
| 324 | A1-563 | 45 | 41-44 | 324 | 200 | 624 | 324 | 1652 | 1290 | 1022 | 1223 | 698 |
| 356 | A1-564 | | | 508 | 254 | 706 | 356 | 1950 | 1550 | 1270 | 1441 | 764 |
| 406 | A1-565 | | | 508 | 254 | 756 | 406 | 2390 | 1300 | 1420 | 1541 | 914 |

Please note that our fairleads can be certified by all the major classification societies.
Please e-mail us at enquiries@liftingandmarine.com with your enquiry

www.liftingandmarine.com



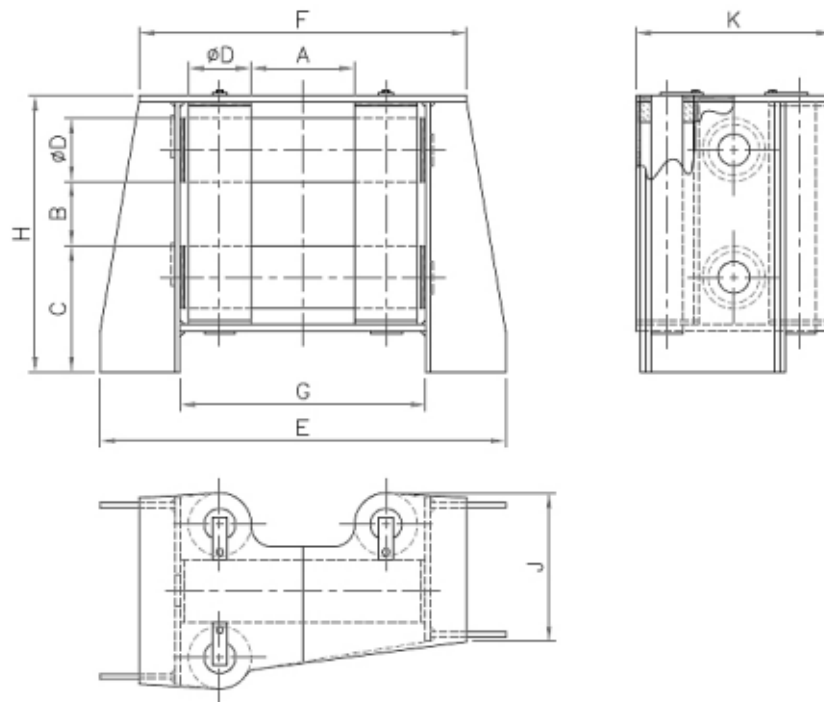
"...the only port of call you'll ever need..."

Multi-Angle Fairlead LMS 34

Technical Schematics :

Note:

Technical data is for guidance only - for exact specification, please contact our sales team



| Type | Part No | SWL (tonnes) | Wire Rope (Dia) | | | | | | | | | | |
|------|---------|-----------------|-----------------------|-----|-----|-----|-----|------|------|------|------|-----|------|
| | | | | A | B | C | D | E | F | G | H | J | K |
| 114 | A2-567 | 8 | 10-15 | 254 | 152 | 309 | 114 | 800 | 666 | 534 | 645 | 280 | 362 |
| 140 | A2-527 | 12 | 16-20 | 254 | 152 | 335 | 140 | 898 | 724 | 578 | 697 | 356 | 440 |
| 168 | A2-553 | 16 | 21-26 | 254 | 152 | 363 | 168 | 970 | 778 | 634 | 753 | 400 | 524 |
| 194 | A1-558 | 25 | 27-34 | 324 | 200 | 389 | 194 | 1258 | 1016 | 762 | 853 | 457 | 602 |
| 273 | A1-513 | 38 | 35-40 | 324 | 200 | 543 | 273 | 1492 | 1168 | 920 | 1111 | 682 | 838 |
| 324 | A1-570 | 45 | 41-44 | 324 | 200 | 624 | 324 | 1652 | 1290 | 1022 | 1223 | 698 | 992 |
| 356 | A1-571 | | | 508 | 254 | 706 | 356 | 1950 | 1550 | 1270 | 1441 | 764 | 1088 |
| 406 | A1-572 | | | 508 | 254 | 756 | 406 | 2390 | 1800 | 1420 | 1541 | 914 | 1270 |

Please note that our fairleads can be certified by all the major classification societies.
Please e-mail us at enquiries@liftingandmarine.com with your enquiry

www.liftingandmarine.com