



"...the only port of call you'll ever need..."

Pedestal Fairlead Roller

LMS offers an extensive pedestal fairlead range in many combinations utilising both horizontal and vertical rollers. Our designs are adaptable to meet most requirements.

Manufactured from high quality steel and supplied with a primer painted finished, the fairlead is prepared ready for immediate vessel installation.

Please refer to the technical data table below. To receive a competitive quotation please send us your email enquiry to us today at enquires@liftingandmarine.com



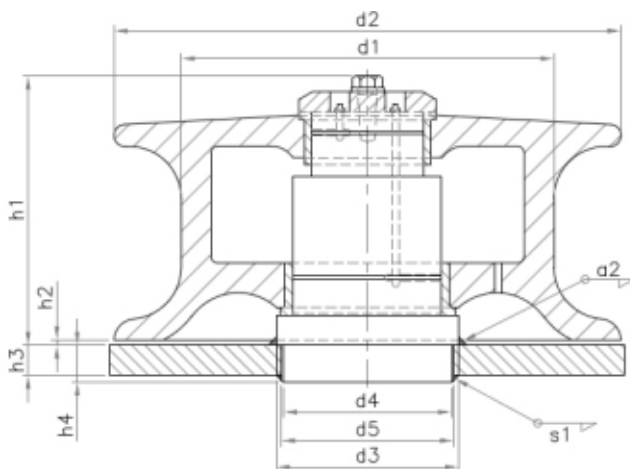
Technical Schematics :

Note:

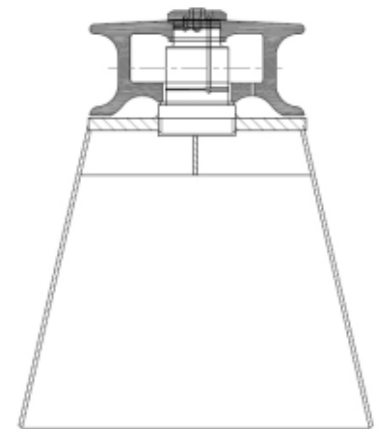
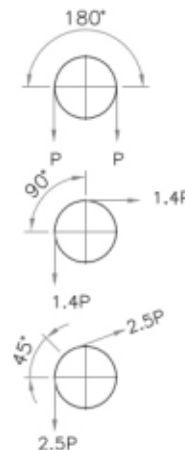
Technical data is for guidance only - for exact specification, please contact our sales team

Size	d1	d2	d3	d4	d5	h1	h2	h3	h4	s1	s2	tonnes (P)
150	150	240	105	85	90	158	5	25	40	8	6	15.8
200	200	310	130	110	115	190	5	25	40	8	6	19.8
250	250	380	150	130	135	245	6	25	40	8	8	28.5
300	300	440	170	150	155	270	7	35	50	8	8	33.6
350	350	500	190	170	175	294	7	35	50	10	10	44.8
400	400	560	200	180	185	332	7	35	50	12	12	58.0
450	450	630	225	205	210	341	7	35	50	12	12	64.2
500	500	680	245	225	230	358	7	40	50	15	15	84.3

P = breaking load in tonnes on the line which is to be used with the roller fairlead



Roller shown with circular base plate supplied as an optional extra



Best size manufactured to suit your requirements, also available with tubular base. Please state if horn is required

Please note that our mooring equipment can be certified by all the major classification societies. Please e-mail us at enquires@liftingandmarine.com with your enquiry

www.liftingandmarine.com