

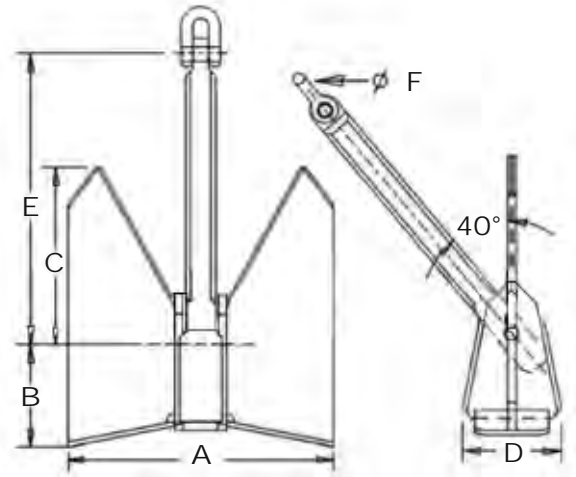
"...the only port of call you'll ever need..."

Pool Anchor Range

Our Pool Anchor range is designed to quickly dig into the surface and hold. Like the AC14 and Delta range, it is also a High Holding Power anchor.

A stockless type high holding power (HPP) anchor, with large flat flukes fabricated from superior quality high tensile steel. The flukes have sharp edges to ensure that the anchor digs into the ground. Can be supplied with crownplates if needed.

To receive a competitive quotation please send us your email enquiry to us today at enquiries@liftingandmarine.com



Technical Schematics :

Note:

Technical data is for guidance only - for exact specification, please contact our sales team

Anchor Weight (Kg)	Dimensions in mm						Anchor Weight (Kg)	Dimensions in mm					
	A	B	C	D	E	F		A	B	C	D	E	F
160	741	284	494	278	812	22	3670	2102	806	1404	789	2306	90
180	770	295	514	289	845	30	3940	2153	825	1438	808	2361	90
225	830	318	554	311	910	30	4210	2201	843	1470	826	2413	100
270	882	338	588	331	967	35	4500	2250	862	1503	844	2468	100
315	928	356	620	348	1018	35	4840	2305	883	1540	865	2528	100
360	970	372	648	364	1064	35	5175	2357	903	1575	884	2585	110
430	1030	395	687	386	1129	35	5515	2408	923	1609	903	2641	110
495	1079	413	720	405	1164	48	5850	2456	941	1641	921	2693	110
585	1141	437	762	428	1251	48	6225	2507	961	1675	941	2749	110
675	1196	458	799	449	1312	48	6525	2548	976	1701	956	2794	110
765	1247	478	833	468	1368	50	6975	2604	998	1740	977	2855	110
855	1295	496	864	486	1419	50	7425	2658	1019	1776	997	2915	130
970	1350	517	901	506	1480	50	7875	2711	1039	1811	1017	2973	130
1080	1399	536	934	525	1534	50	8325	2762	1058	1845	1036	3029	130
1195	1447	554	966	543	1587	50	8775	2811	1077	1878	1054	3082	140
1305	1490	571	995	559	1634	60	9225	2858	1095	1910	1072	3134	140
1440	1540	590	1028	578	1688	60	9675	2903	1113	1940	1089	3184	140
1575	1586	608	1059	595	1740	60	10125	2948	1130	1970	1106	3233	150
1710	1630	625	1089	612	1788	60	10575	2991	1146	1999	1122	3280	150
1845	1672	641	1117	627	1834	75	11025	3032	1162	2026	1138	3326	150
1980	1712	656	1143	642	1877	75	11550	3080	1080	2058	1155	3377	160
2140	1757	673	1173	659	1927	75	12075	3126	1198	2089	1173	3428	160
2295	1798	689	1201	675	1972	75	12675	3177	1217	2123	1192	3484	160
2475	1844	707	1232	692	2022	75	13350	3232	1239	2160	1213	3544	170
2655	1888	723	1261	708	2070	75	14100	3291	1261	2200	1234	3609	170
2835	1929	739	1289	724	2116	80	15000	3360	1288	2246	1261	3685	190
3040	1975	757	1319	741	2165	80	16125	3442	1319	2300	1291	3774	190
3240	2017	773	1347	757	2212	80	17250	3520	1349	2353	1321	3860	190
3445	2059	789	1375	772	2258	80							

Please note that our anchors can be certified by all the major classification societies.
Please e-mail us at enquires@liftingandmarine.com with your enquiry

www.liftingandmarine.com