

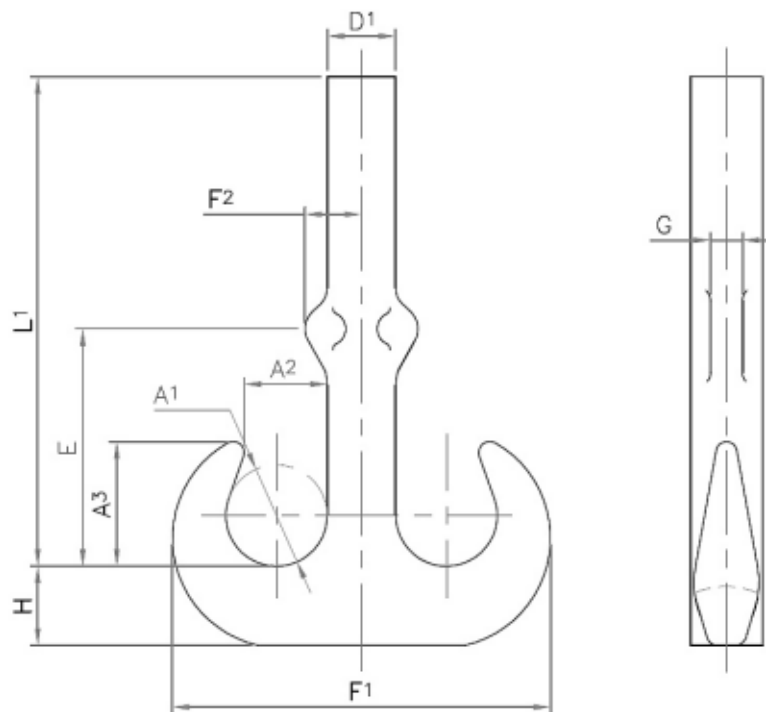


"...the only port of call you'll ever need..."

## Ramshorn Hooks DIN 15402



### Technical Schematics :



Hook No:	mm A1	mm A2	mm A3	mm D1	mm E	mm F1	mm F2	mm G	mm H	mm L1	Weight Kg
20	125	100	163	106	265	531	75	33	132	650	99.5
25	140	112	182	118	315	598	86	33	150	715	138
32	160	125	205	132	335	672	94	38	170	790	197
40	180	140	230	150	375	754	104	38	190	885	286
50	200	160	260	170	420	842	120	42	212	965	394
63	224	180	292	190	460	944	131	42	236	1090	547
80	250	200	325	212	515	1062	144	45	265	1235	759
100	280	224	364	236	575	1186	157	45	300	1375	1060
125	315	250	408	265	645	1330	178	50	335	1550	1491
160	355	280	458	300	725	1505	198	50	375	1745	2115
200	400	315	515	335	800	1685	218	55	425	1998	3015
250	450	355	580	375	875	1885	240	55	475	2250	4268

Please advise if safety catches are required. Alternative shank lengths forged to your specification.

Please e-mail us at [enquiries@liftingandmarine.com](mailto:enquiries@liftingandmarine.com) with your enquiry

[www.liftingandmarine.com](http://www.liftingandmarine.com)