

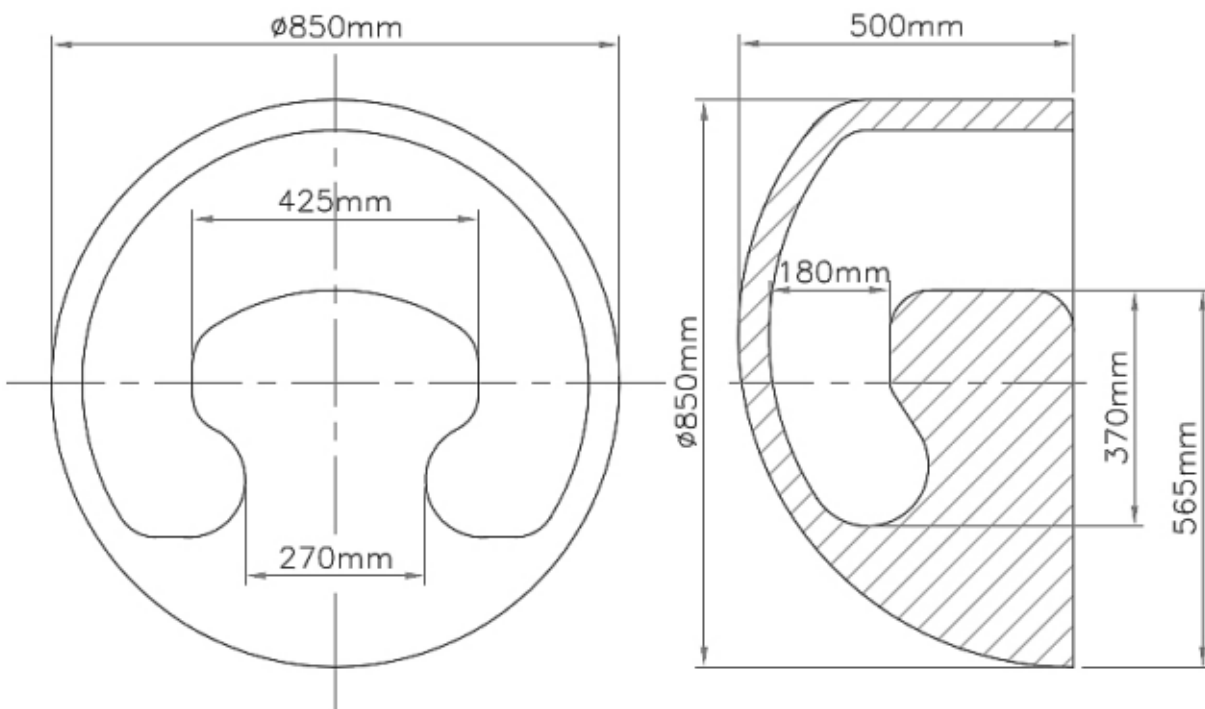


"...the only port of call you'll ever need..."

Recessed Shell Bitts (100 tonne capacity)



Recessed shell bitts are manufactured to be used on vessels using the Panama and Suez Canal, or where the rope needs to be attached to a ship's hull without any protrusion.



Capacity 100 Tonne

Please e-mail us at enquiries@liftingandmarine.com with your enquiry

www.liftingandmarine.com