



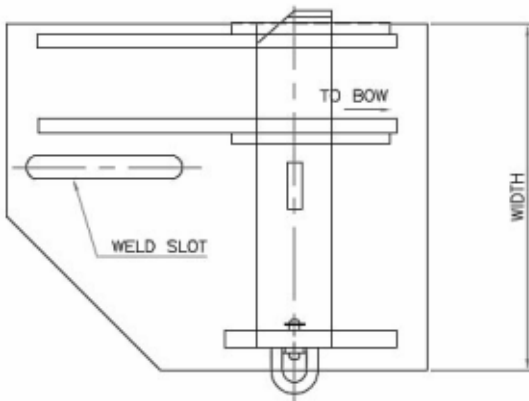
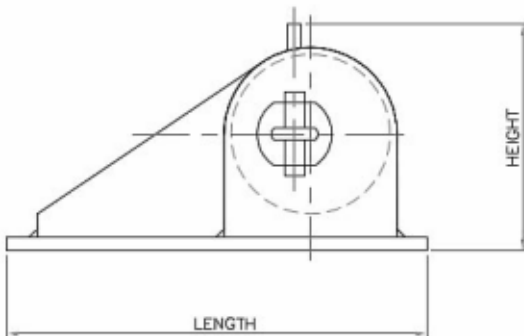
"...the only port of call you'll ever need..."

Smit Towing Bracket



Used as a component part of an emergency towing system (ETS) or can be used as a stand alone item on deck for securing chain connections.

Please refer to the technical data table below. To receive a competitive quotation please send us your email enquiry to us today at enquiries@liftingandmarine.com



Technical Schematics :

Note:

Technical data is for guidance only - for exact specification, please contact our sales team

Type	Chain Size mm	Overall	Width	Height	SWL
OCIMF Smit Brackets	76	900	800	485	200
Small Smit Brackets	54	625	600	365	100

Features:

- Engineered from high grade alloy steel
- Suitable for chain sizes up to 96mm
- For emergency towing system or as stand alone
- Classification approval on request
- Underdeck stiffening on request

Please note that our smit brackets can be certified by all the major classification societies.
Please e-mail us at enquiries@liftingandmarine.com with your enquiry