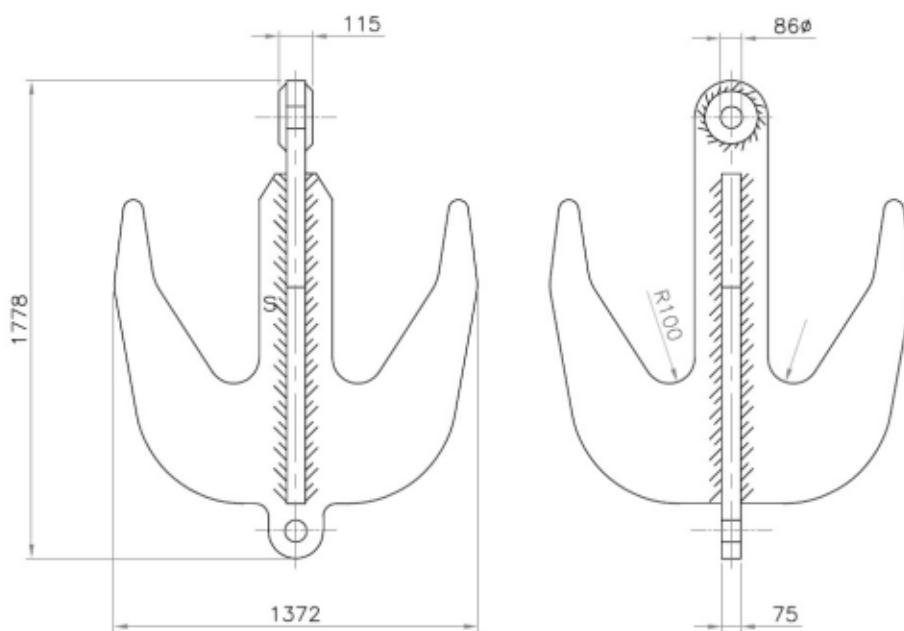




"...the only port of call you'll ever need..."

## Wire Grapnel Anchor



### Technical Schematics :

**Note:**

Technical data is for guidance only. For exact specification, please contact our sales team.

A wide range of sizes are available on request. LMS also has the capability to be able to design and engineer wire grapnel anchors to your specific requirements.

The anchor drawing above is for a wire grapnel with a 150 Tonne SWL. For details of specific sizes and safe working loads, please contact our sales team for more information.

Our wire grapnel anchors are used to retrieve wire which have become detached from the main buoy or from the vessel winch.

Manufactured from high tensile steel, the anchor is welded using procedures approved by IACS

We can supply wire grapnel anchors for recovery of chain weights up to 300te.

To receive a competitive quotation please send us your email enquiry to us today at [enquiries@liftingandmarine.com](mailto:enquiries@liftingandmarine.com)